

DC HIGH VOLTAGE EV RELAY

EVD250



EVD250

PERFORMANCE

ITEM		PARAMETER	
Contact Arrangement		SPST-NO	
Auxiliary Contact		SPST-NO(Optional)	
Voltage Rating		12-200Vdc	12-750Vdc 12-1000Vdc 12-1500Vdc
Current Rating		1-250A	
Current Endurance		250A Cont. ; 300A 10min. ; 400A 180sec. ; 500A 30sec.	
Break Current, Max (only 1 time)		2000A 320Vdc	
Contact Resistance (Initial)		≤1mΩ (at 250A)	
Operate Time (at 20°C)		30ms Max.	
Bounce Time (at 20°C)		5ms Max.	
Release Time (at 20°C)		10ms Max.	
Mechanical Life (0.5s:0.5s)		2×10 ⁵ Cycles	
Electrical Life		See graph	
Current-carrying capacity curve		See graph	
Insulation resistance		Initial: 100MΩ 1000Vdc After test: 50MΩ 1000Vdc	
Impulse withstand voltage (initial)	Main contact 1mA/1min.(sea level)	AC 3500Vrms	
	Main contact & coil 1mA/1min.(sea level)	AC 2500Vrms	AC 3500Vrms
Mechanical performance	Shock	20G peak,11ms 1/2 Sine wave (coil energized)	
	Vibration	20G peak,80-2000Hz,Sine wave (coil energized)	
	Strength	50G acceleration, half sine wave impulse 6ms, 50 times per axis.	
Operating & Storage Condition	Ambient Temperature	-40~+85°C	
	Humidity	5~95% RH.	
Altitude		≤4000m	
Weight		approx. 430g	
Certification		UL、CE、CCC	

COIL DATA

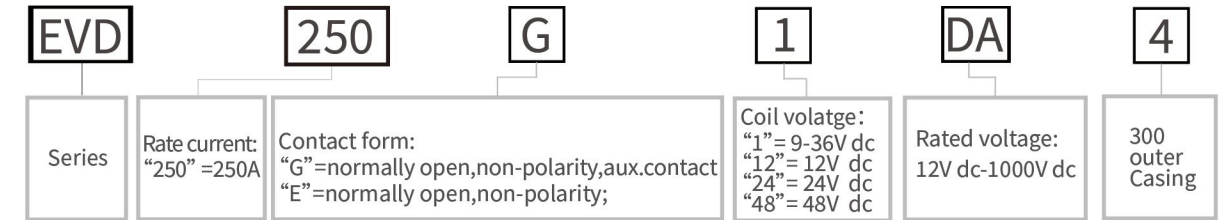
Coil Type	Nominal voltage (at 20°C)	Pick-up voltage (at 20°C)	Drop-out voltage (at 20°C)	Start-up current	Holding power (at 20°C)	Coil polarity
PWM	12-36Vdc	≤9Vdc	≥6Vdc	3.2A MAX	approx. 2.5W	non-polarized
Coil Type	Nominal voltage (at 20°C)	Pick-up voltage (at 20°C)	Drop-out voltage (at 20°C)	Coil resistance (at 20°C)	Holding power (at 20°C)	Coil polarity
Single-coil	12Vdc	≤9.6Vdc	≥1Vdc	25Ω×(1±7%)	approx. 5.76W	non-polarized
	24Vdc	≤19.2Vdc	≥2Vdc	100Ω×(1±7%)	approx. 5.76W	non-polarized
	48Vdc	≤38.4Vdc	≥4Vdc	400Ω×(1±7%)	approx. 5.76W	non-polarized

DC HIGH VOLTAGE EV RELAY

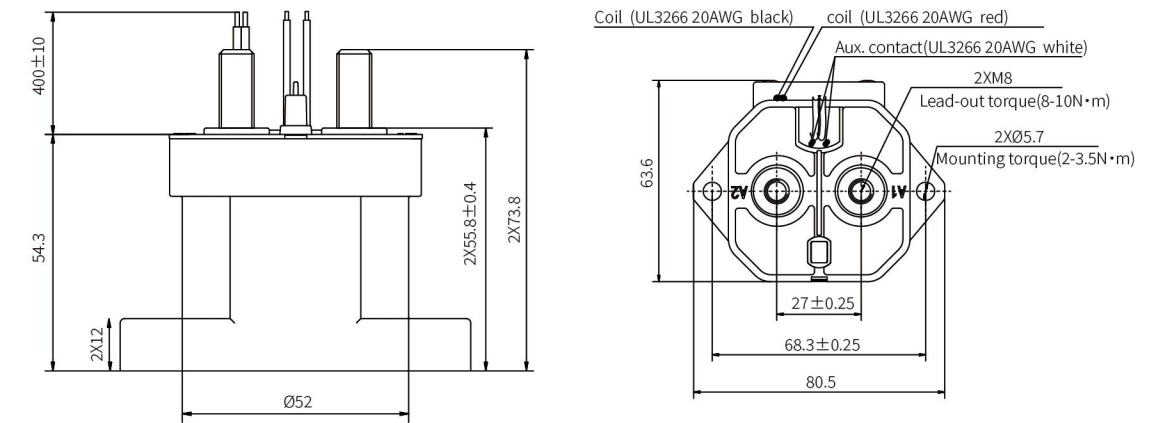
EVD250



PART CODE



DIMENSIONS



Note: 1.fastener:2xM8x8mm; 2.Mounting hardware M 5, torque 2-3.5N·m; 3.Main contact hardware M 8, torque 8-10N·m; 4.Main contact to copper area≥100mm²;

GRAPHS

